



SURFACE MOUNT GALSS PASSIVATED ZENER DIODE

MZ1.0PM6.2-41 THRU MZ1.0PM91V-2.0

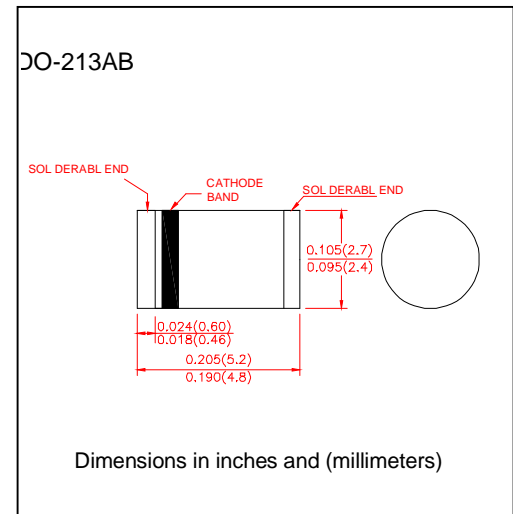
Zener Voltage **6.2 to 91.0 Volts**
Standby State Power **1.0 Watt**

FEATURES

- Plastic package has Underwriters Laboratory Flammability Classification 94V-0
- For surface mounted applications
- Glass passivated chip junction
- Low Zener impedance
- Low regulation factor
- High temperature soldering guaranteed:
250°C/10 seconds at terminals

MECHANICAL DATA

- Case: JEDEC DO-213AB molded plastic over passivated junction
- Terminals: Solder plated, solderable per MIL-STD-750 Method 2026
- Polarity: Red band denotes Zener diode and positive end (cathode)
- Mounting Position: Any
- Weight: 0.0046 ounce, 0.116 gram



MAXIMUM RATINGS AND ELECTRICAL CHARACTERISTICS

- Ratings at 25°C ambient temperature unless otherwise specified

OPERATING JUNCTION AND STOPAGE TEMPERATURE RANGE: T_J, T_{STG}: -55°C to +150°C

Type	Device Marking Code	Nominal Zener Voltage at I _{ZT} (Note1) (volts)	Test Current I _{ZT} (mA)	Maximum dynamic Impedance			Maximum DC Reverse Leakage current		Maximum Surge Current (note2) I _{RM} (mApk)	Maximum Forward Voltage Ar 200mA V _F (Volts)
				Z _{ZT} at I _{ZT} (Ohms)	Z _{ZK} at I _{ZK} (Ohms)	I _{ZK} (mA)	I _R (μA)	V _R (Volts)		
MZ1.0PA6V2-41	6V2-41	6.2	41.0	2.0	700	1	50	3	730	1.2
MZ1.0PA6V8-37	6V8-37	6.8	37.0	3.5	700	1	10	4	660	1.2
MZ1.0PA7V5-34	7V5-34	7.5	34.0	4.0	700	0.5	10	5	605	1.2
MZ1.0PA8V2-31	8V2-31	8.2	31.0	4.5	700	0.5	10	6	550	1.2
MZ1.0PA9V1-28	9V1-28	9.1	28.0	5.0	700	0.5	10	7	500	1.2
MZ1.0PA10V-25	10V-25	10	25.0	7.0	700	0.25	10	7.6	454	1.2
MZ1.0PA11V-23	11V-23	11	23.0	8.0	700	0.25	5	8.4	414	1.2
MZ1.0PA12V-21	12V-21	12	21.0	9.0	700	0.25	5	9.1	380	1.2
MZ1.0PA13V-19	13V-19	13	19.0	10.0	700	0.25	5	9.9	344	1.2
MZ1.0PA15V-17	15V-17	15	17.0	14.0	700	0.25	5	11.4	305	1.2
MZ1.0PA16V-15.5	16V-15.5	16	15.5	16.0	700	0.25	5	12.2	285	1.2
MZ1.0PA18V-14	18V-14	18	14.0	20.0	750	0.25	5	13.7	250	1.2
MZ1.0PA20V-12.5	20V-12.5	20	12.5	22.0	750	0.25	5	15.2	225	1.2
MZ1.0PA22V-11.5	22V-11.5	22	11.5	23.0	750	0.25	5	16.7	205	1.2
MZ1.0PA24V-10.5	24V-10.5	24	10.5	25.0	750	0.25	5	18.2	190	1.2
MZ1.0PA27V-9.5	27V-9.5	27	9.5	35.0	750	0.25	5	20.6	170	1.2
MZ1.0PA30V-8.5	30V-8.5	30	8.5	40.0	1000	0.25	5	22.8	150	1.2
MZ1.0PA33V-7.5	33V-7.5	33	7.5	45.0	1000	0.25	5	25.1	135	1.2
MZ1.0PA36V-7.0	36V-7.0	36	7.0	50.0	1000	0.25	5	27.4	125	1.2
MZ1.0PA39V-6.5	39V-6.5	39	6.5	60.0	1000	0.25	5	29.7	115	1.2
MZ1.0PA43V-6.0	43V-6.0	43	6.0	70.0	1500	0.25	5	32.7	110	1.2
MZ1.0PA47V-5.5	47V-5.5	47	5.5	80.0	1500	0.25	5	35.8	95	1.2
MZ1.0PA51V-5.0	51V-5.0	51	5.0	95.0	1500	0.25	5	38.8	90	1.2
MZ1.0PA56V-4.5	56V-4.5	56	4.5	110.0	2000	0.25	5	42.6	80	1.2
MZ1.0PA62V-4.0	62V-4.0	62	4.0	125.0	2000	0.25	5	47.1	70	1.2
MZ1.0PA48V-3.7	48V-3.7	68	3.7	150.0	2000	0.25	5	51.7	65	1.2
MZ1.0PA75V-3.3	75V-3.3	75	3.3	175.0	2000	0.25	5	56	60	1.2
MZ1.0PA82V-3.0	82V-3.0	82	3.0	200.0	3000	0.25	5	62.2	55	1.2
MZ1.0PA91V-2.0	91V-2.0	91	2.0	250.0	3000	0.25	5	69.2	50	1.2

Notes:

1. Standard voltage tolerance is ±5%, suffix A ±10%
2. Surge current is a non-repetitive, 8.3ms pulse width square wave or equivalent sine-wave superimposed on I_{ZT} per JEDEC Method
3. Maximum steady state power dissipation is 1.0 watt at T_T = 75°C



SURFACE MOUNT GALSS PASSIVATED ZENER DIODE

MZ1.0PM6.2-41 THRU MZ1.0PM91V-2.0

Zener Voltage 6.2 to 91.0 Volts
 Standby State Power 1.0 Watt

RATING AND CHARACTERISTIC CURVES MZ1.0PM6.2-41 THRU MZ1.0PM91V-2.0

